



New Product Announcement ● New Product Announcement ● New Product Announcement

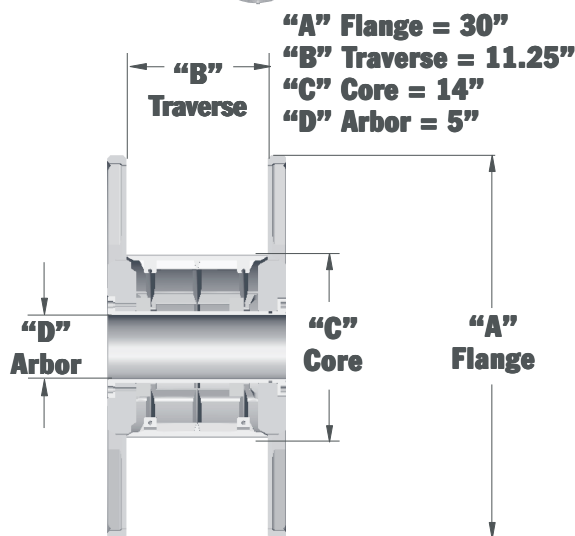
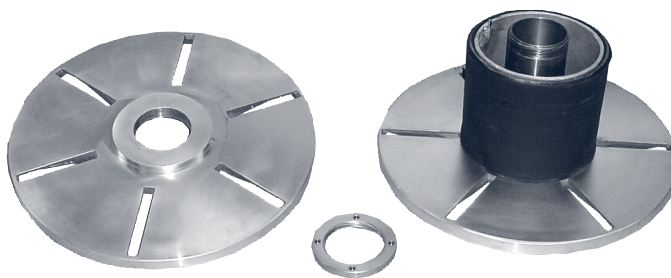
Acropak®

The First Name in Reel-Less Wire Packaging

Inflatable Bladder Core Flat Wire Let-Off Reel

Inflatable Bladder Core Negates Contact with Flanges and Maintains Wire Tension for Slippage-Free Flat Wire Payoff

In let-off operations using flat wire, it's important to maximize wire tension to prohibit slippage and maintain slack control. With traditional round wire, this is simply a matter of clamping the Acropak coil with the reel flanges to maintain tension and prohibit coil spinning.



With flat wire, however, this system presents a problem. During let-off of flat wire Acropaks, it's important to minimize wire scuffing by preventing unnecessary contact with flanges.

Acrometal's new Inflatable Bladder Core Acropak® Let-Off Reel is designed to eliminate this problem. The reel core can be inflated to exert tension on the wire during let-off to prohibit slippage and improve efficiency.

The reel comes in the standard sizes shown at left, but other sizes are available on request.

When combined with Acrometal's Acropak® lifter/tilter accessory kit and "C" hook, the Inflatable Bladder Core Acropak Let-Off Reel provides a cost-saving, efficient solution to your wire packaging needs.

For more information, contact Acrometal today!

www.acrometalmfg.com